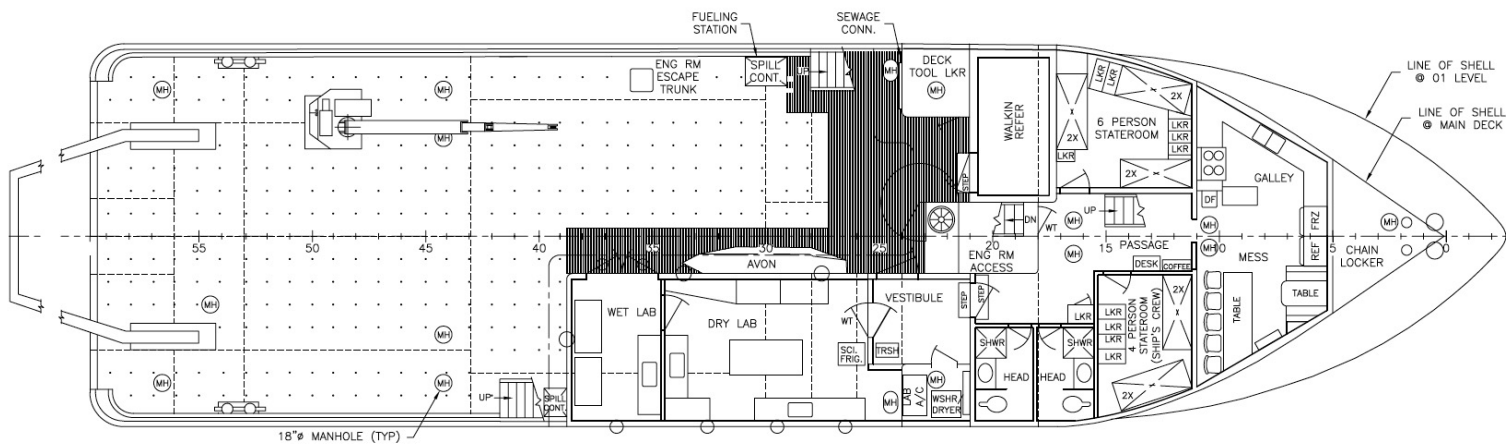




R/V ROBERT GORDON SPROUL DECK AND LAB SPACES

Shipboard Technical Support
ResTech@ucsd.edu
(858) 534-1632



2'x2' deck socket pattern

- 1"x8 sockets on deck
- 1/2"x13 sockets in Dry Lab
- Standard across UNOLS vessels

Space for 1 lab van

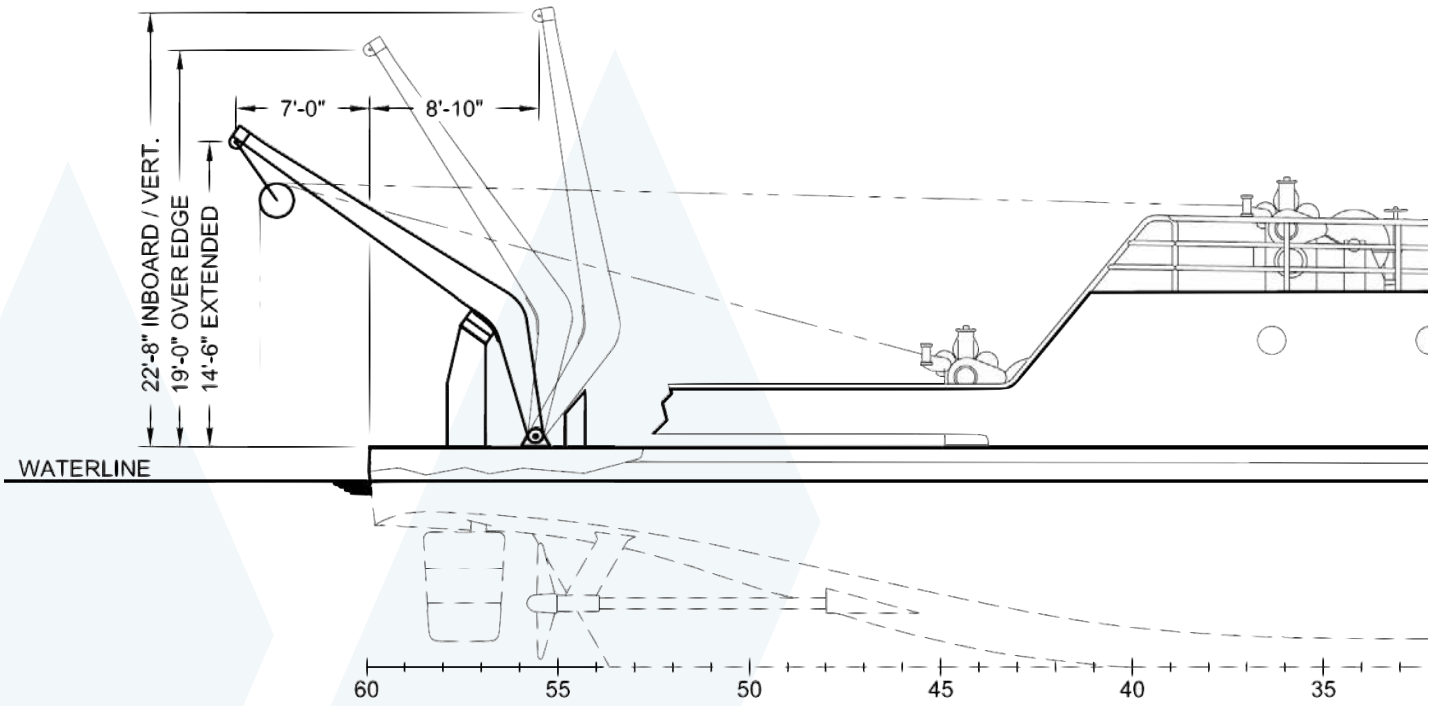
- Typically placed on port side forward of crane

DECK EQUIPMENT

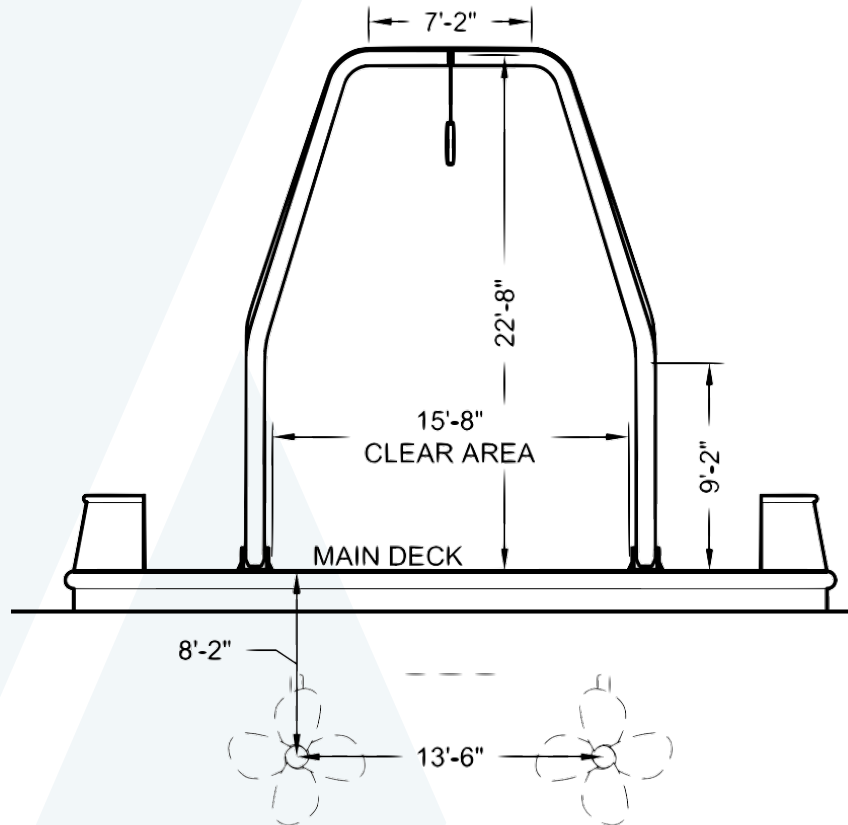


- A-frame
 - Safe working load of 5 tons
 - Port block: R4 Skookum
 - Centerline block: 3/8" trawl wire block
 - Starboard block: 0.322 electro-mechanical CTD wire block
- Trawl winch
 - 3/8" 3x19 wire rope
 - Max pull of 5,000 lbs.
- CTD winch
 - 0.322 electro-mechanical wire
 - Max pull of 2,000 lbs.
- Capstan
 - Safe working load of 1,500 lbs.
- Knuckle boom crane
 - Safe working load of 1490 lbs. in port.

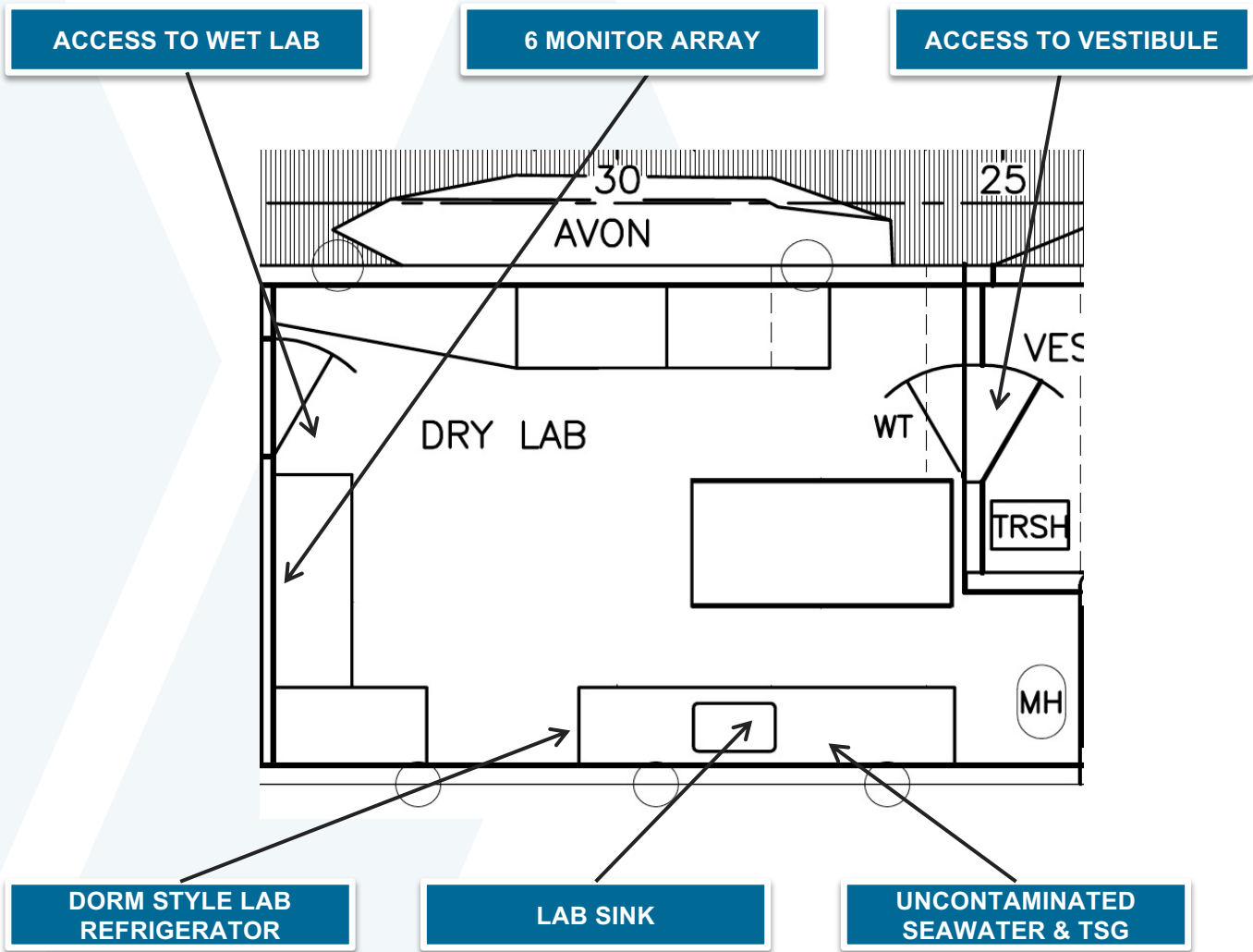
A-FRAME PROFILE VIEW



A-FRAME SECTION VIEW



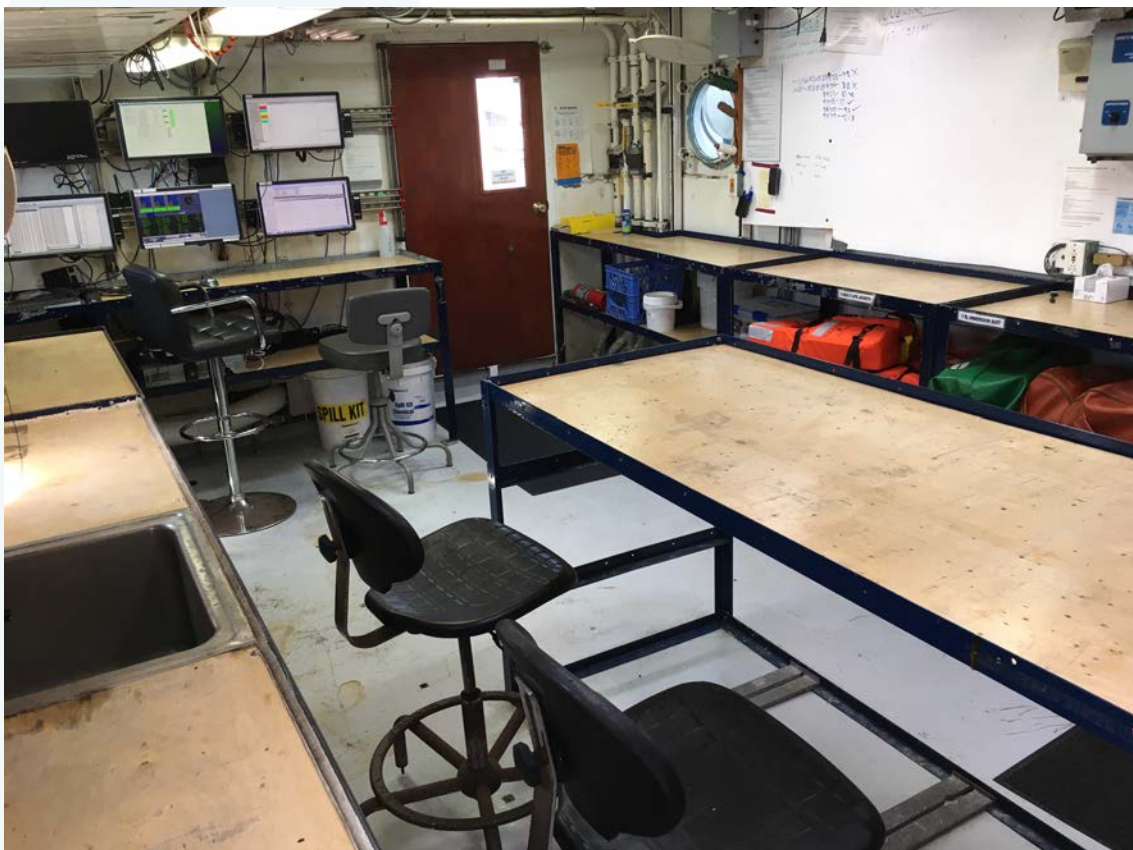
DRY LAB OVERHEAD VIEW



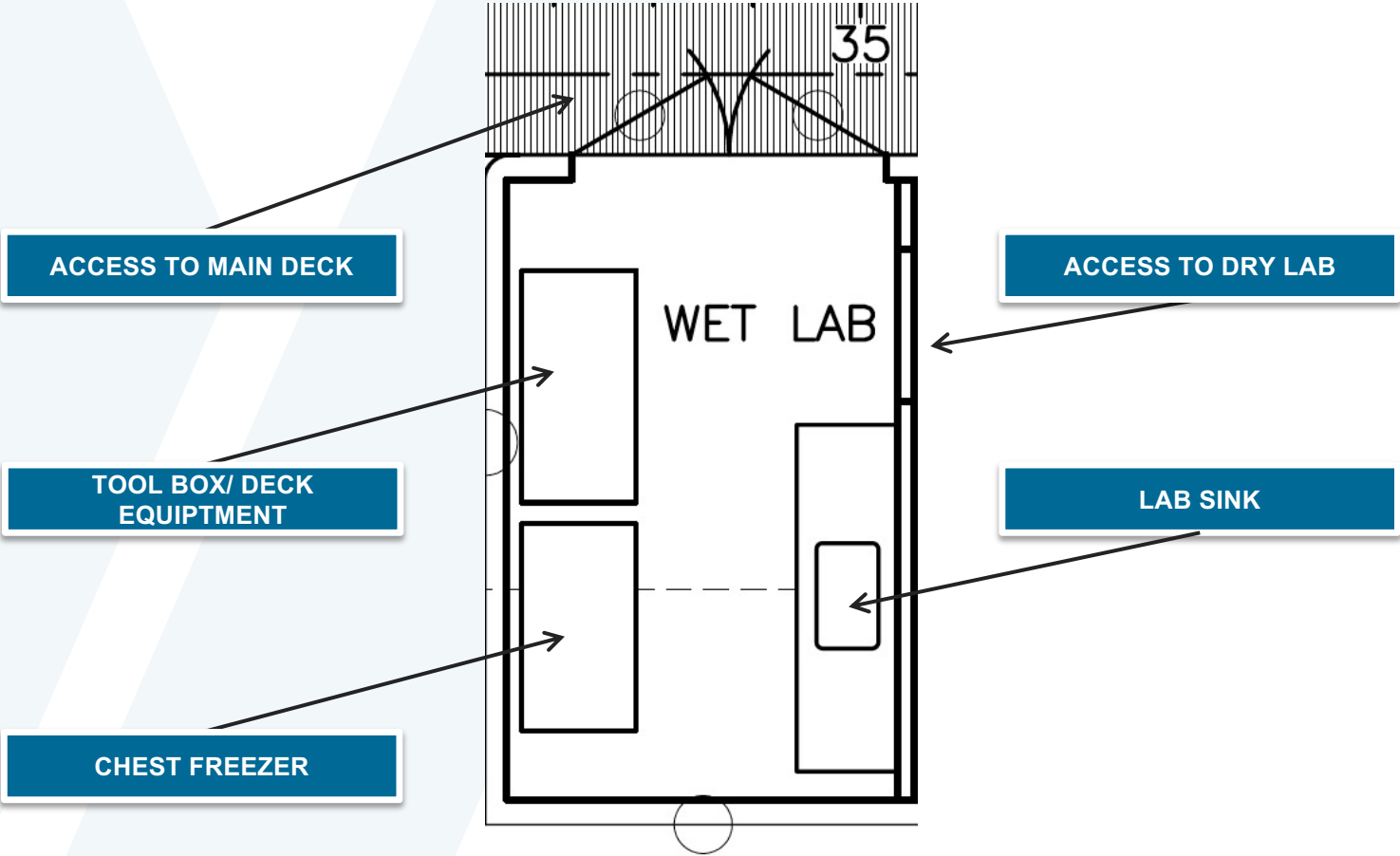
DRY LAB PORT PERSPECTIVE VIEW



DRY LAB STARBOARD PERSPECTIVE VIEW



WET LAB OVERHEAD VIEW



ACCESS TO MAIN DECK

ACCESS TO DRY LAB

TOOL BOX/ DECK EQUIPMENT

LAB SINK

CHEST FREEZER

WET LAB

35

WET LAB STARBOARD PERSPECTIVE VIEW

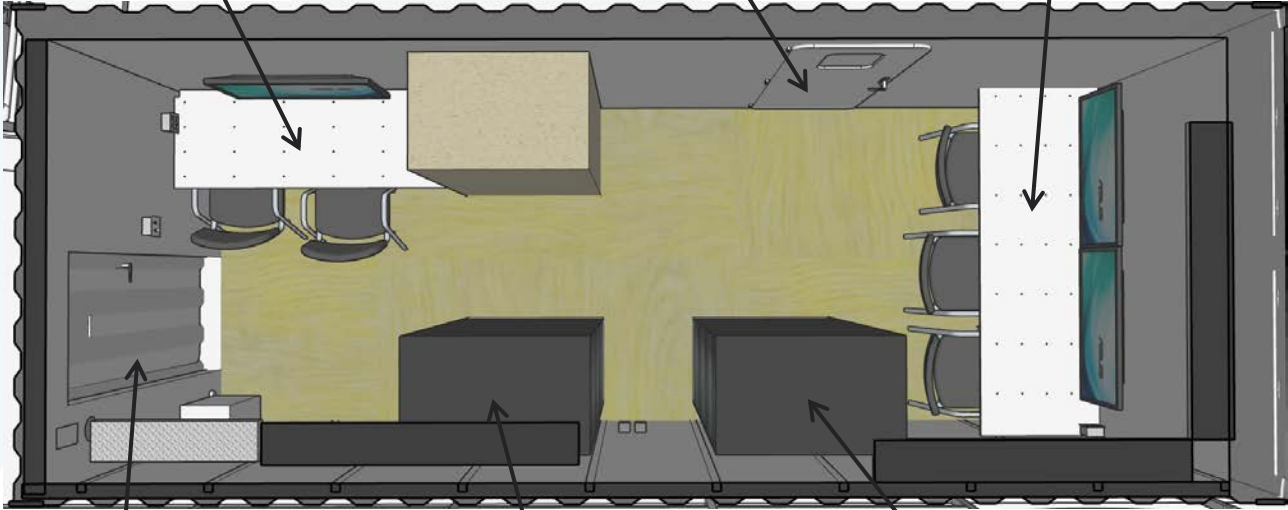


COMPUTER LAB OVERHEAD VIEW

4 MONITOR ARRAY

ACCESS TO 01 DECK

8 MONITOR ARRAY



ACCESS TO 01 DECK

SERVER RACK

SERVER RACK

COMPUTER LAB FORWARD PERSPECTIVE VIEW



COMPUTER LAB AFT PERSPECTIVE VIEW

